

TA2P

series



Product Segments

- **Auto Motion**

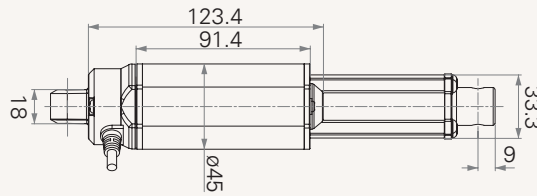
TA2P is also one of the Auto Motion series products. With bigger size of motor, compared to TA2, it loads uppermost up to 200KG. The typical application of TA2P is mower, wax machine, and other industrial equipment...etc.

General Features

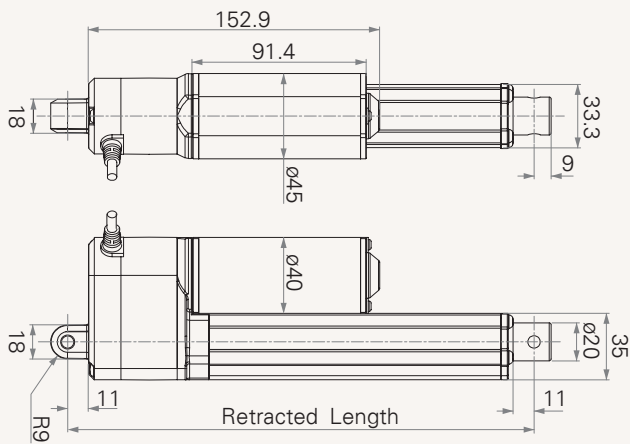
Voltage of motor	12V DC, 24V DC, 36V DC, or 48VDC
Maximum load	2,000N in pull/push
Maximum speed	55.0mm/s
Minimum installation dimension	stroke+108mm (With Hall sensor(s) or without output signals)
Minimum installation dimension	stroke+138mm (With POT, Optical, or Reed signals)
Color	silver
Certificate	IEC60601-1 and ES60601-1
Option	POT, Optical, Hall/Reed sensor(s)

Drawing

Dimension Without
Sensor or with
Hall Sensor(s)



Dimension with
POT, Optical, or
Reed Sensor



TA2P Load and Speed

CODE	Rated Load		Self Locking N (PUSH)	Typical Current at Rated Load (A)	Typical Speed	
	PUSH N	PULL N			No Load (24V DC) mm/s	Rated Load (24V DC) mm/s
Motor Speed (5200RPM)						
A	250	250	250	2.2	43.0	36.0
B	500	500	500	2.2	28.0	24.0
C	1000	1000	1000	2.2	14.0	12.0
D	1500	1500	1500	2.2	9.3	8.0
E	2000	2000	2000	2.2	7.0	6.0
Motor Speed (6600RPM)						
F	250	250	250	2.8	55.0	46.0
G	500	500	500	2.8	35.0	30.0
H	1000	1000	1000	2.8	18.0	15.0
K	1500	1500	1500	2.8	12.0	10.3
L	2000	2000	2000	2.8	9.0	7.5

Note

- 1 The left diagram shows the speed and current figures under pushing condition.
- 2 Speed would be the same if with 12V motor, but with double current consumption comparing 24V motor.

Terms of Use

The user is responsible for determining the suitability of TiMOTION products for a specific application.

Due to continuous development in order to improve our products, TiMOTION products are subject to frequent modifications and changes without prior notice.

TiMOTION reserves the right to discontinue the sale of any products displayed on its website or listed in its catalogue or other written materials drawn up by TiMOTION.

Minimum Retracted Length

Stroke	Without Output Signals (#0, #4, #5)	With Output Signal (#1, #2, #3)
--------	--	------------------------------------

Front Attachment 1,2+ Rear Attachment 1,2,3

25~150mm	Stroke+108mm	Stroke+138mm
151~300mm	Stroke+110mm	Stroke+140mm

Front Attachment 3,4,5+ Rear Attachment 1,2,3

25~150mm	Stroke+120mm	Stroke+150mm
151~300mm	Stroke+122mm	Stroke+152mm

Additional retracted length

TA Series	Safety Stroke Limit (mm)	Additional Stroke (mm)	Additional Invalid Length (mm)
TA1	300	0<additional stroke≤50	5
TA1 (6000N)	200	0<additional stroke≤50	5
TA1 (8000N) up	150	0<additional stroke≤50	5
TA2	300	0<additional stroke≤50	10
TA2P	300	0<additional stroke≤50	10
TA4	200	0<additional stroke≤50	5
TA6	300	0<additional stroke≤50	5
TA6 (6000N)	200	0<additional stroke≤50	5
TA7	300	0<additional stroke≤50	5
TA7 (6000N)	200	0<additional stroke≤50	5
TA7 (8000N) up	150	0<additional stroke≤50	5
TA9	200	0<additional stroke≤50	5
TA10	300	0<additional stroke≤50	5
TA10 (6000N)	200	0<additional stroke≤50	5
TA12	300	0<additional stroke≤50	10
TA12 (7000N)	300	0<additional stroke≤50	10
TA12 (12000N)	300	0<additional stroke≤50	10
TA13	300	0<additional stroke≤50	10
TA16	200	0<additional stroke≤50	5

Note

- 1 Above stroke recommendation is based on safety stroke limit, for each additional 50mm stroke, it needs to add 5mm for the retracted length.

For example

- 1 If TA9's stroke is 201mm, the retracted length = 201mm+invalid length+5mm.
- 2 If TA9's stroke is 300mm, the retracted length = 300mm+invalid length+10mm.

TA2P

Version: 20130502-G

<input type="checkbox"/>	Voltage	1 = 12V	2 = 24V	3 = 36V	4 = 48V
<input type="checkbox"/>	Load and Speed	See appendix			
<input type="checkbox"/>	Stroke				
<input type="checkbox"/>					
<input type="checkbox"/>					
<input type="checkbox"/>	Retracted Length	See appendix			
<input type="checkbox"/>		Note : before selecting retracted length, please refer to the additional retracted length chart			
<input type="checkbox"/>					
<input type="checkbox"/>					
<input type="checkbox"/>	Rear Attachment	1 = Hole 6.4mm 2 = Hole 8mm 3 = Hole 10mm 4 = Slot 6mm, hole 6.4mm	5 = Slot 6mm, hole 8mm 6 = Slot 6mm, hole 10mm A = Customized		
<input type="checkbox"/>	Front Attachment	1 = Hole 6.4mm 2 = Hole 8mm	3 = Hole 10mm A = Customized		
<input type="checkbox"/>	Direction of Rear Attachment	1 = 90°	2 = 0°		
<input type="checkbox"/>	Functions for Limit Switches	1 = Two switches at the retracted/extended positions to cut current 2 = Two switches at the retracted/extended positions to cut current with the third one in between to send signal 3 = Two switches at the retracted/extended positions to send signal	4 = Two switches at the retracted/extended positions and the third one in between to send signal A = Customized		
<input type="checkbox"/>	Output Signals	0 = Without 1 = POT	2 = Optical 3 = Reed	4 = One Hall sensor 5 = Two Hall sensors	
<input type="checkbox"/>	Plug	1 = TiMOTION's standard 6pin plug	2 = Tinned leads	A = Customized	
<input type="checkbox"/>	Cable Length	1 = Straight, 300mm	2 = Straight, 600mm	3 = Straight, 1000mm	A = Customized