

# TC8

series



## Product Segments

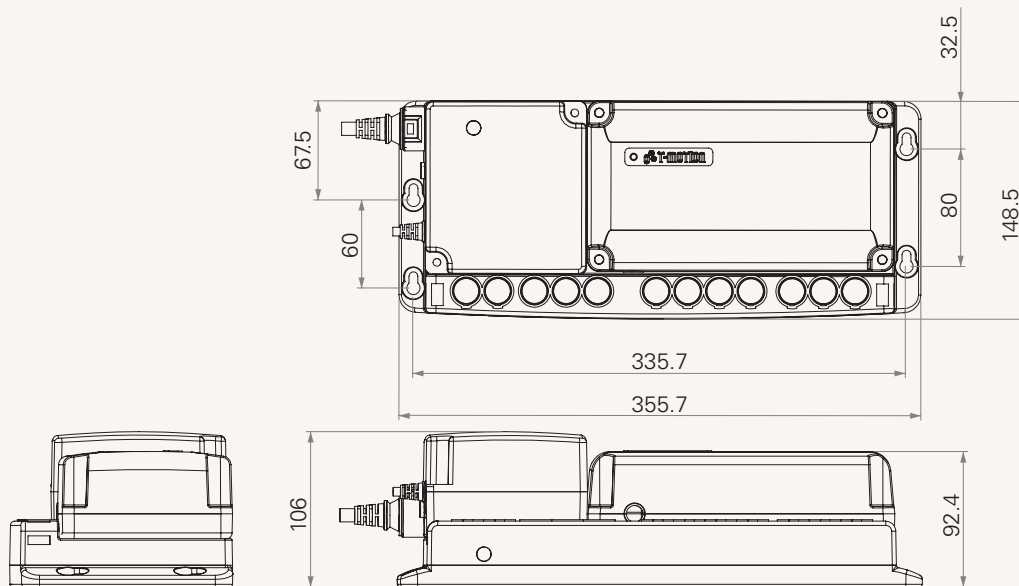
- **Care Motion**

Number of actuators	1~7
Number of handsets	1~3
Maximum output	30V DC, 6.0A
Color	black or grey
Protection class	IP54 or IP66
Certificate	CB, ES60601-1, and EN60601-1
Includes 3 modules	control unit, power supply, and battery
T-BUS protocol available; compatible with various accessories of TiMOTION®	

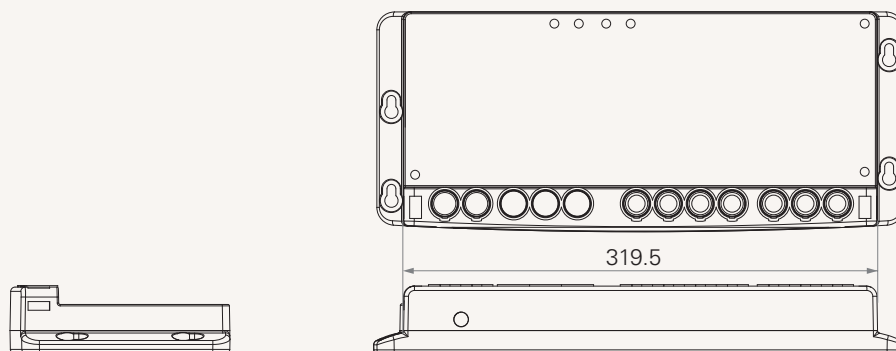
**Drawing**

Standard Dimension

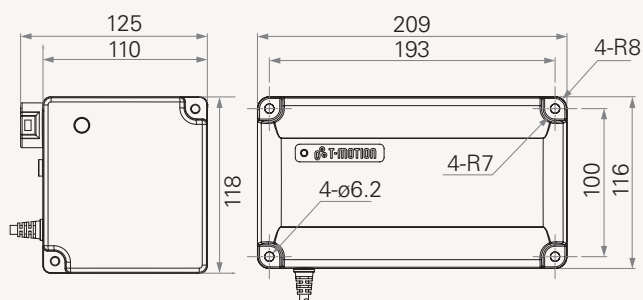
TC8 with TP4 (power supply) and TBB (back-up power):



TC8 without TP4 (power supply) and TBB (back-up power):



TP4 (power supply) and TBB (back-up power):



**Terms of Use**

The user is responsible for determining the suitability of TiMOTION products for a specific application.

Due to continuous development in order to improve our products, TiMOTION products are subject to frequent modifications and changes without prior notice.

TiMOTION reserves the right to discontinue the sale of any products displayed on its website or listed in its catalogue or other written materials drawn up by TiMOTION.

# TC8 Ordering Key

TC8

Version: 20130820-D

<input type="checkbox"/>	<b>Number of Actuators</b>	1 = 1 2 = 2	3 = 3 4 = 4	5 = 5 6 = 6	7 = 7
<input type="checkbox"/>	<b>Handset Input</b>	1 = 1	2 = 2	3 = 3	
<input type="checkbox"/>	<b>Power Input</b>	0 = Without		1 = With	
<input type="checkbox"/>	<b>TBB Input</b>	0 = Without		1 = With	
<input type="checkbox"/>	<b>Color</b>	1 = Black		2 = Grey (Pantone 428C)	
<input type="checkbox"/>	<b>IP Protection</b>	1 = Without	2 = IP54	3 = IP66	
<input type="checkbox"/>	<b>Fixed Hole for Upper Cover</b>	0 = Without		1 = With	
<input type="checkbox"/>	<b>With 24V Stable Output (Max. Support 6 Actuators)</b>	0 = Without		1 = With	