

# TDH1

series



---

## Product Segments

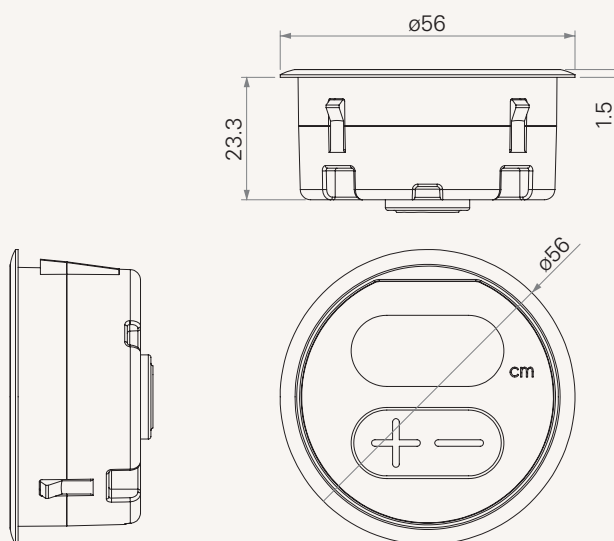
- **Ergo Motion**

---

Maximum available buttons	2
Color	black, grey, or customized
With 3 digits panel that shows the height of the desk	
Especially designed for adjustable height desk application	

## Drawing

Standard Dimension



## Terms of Use

The user is responsible for determining the suitability of TiMOTION products for a specific application.





Due to continuous development in order to improve our products, TiMOTION products are subject to frequent modifications and changes without prior notice.

TiMOTION reserves the right to discontinue the sale of any products displayed on its website or listed in its catalogue or other written materials drawn up by TiMOTION.

# TDH1 Ordering Key

TDH1

Version: 20130729-D

	<b>Number of Buttons</b>	2 = 2		
	<b>Plug</b>	1 = (Round) RJ 10pin, 180°, for TC6/TC9/extension cable 6 = RJ 10pin, 180°, for TC11/TC15/TC16, flat	A = Customized	
	<b>Color</b>	1 = Black	2 = Grey (Pantone 428C)	3 = Grey (Pantone Grey 7C)    A = Customized
	<b>Cable Length</b>	1 = Straight, 500mm 2 = Straight, 1000mm	3 = Straight, 1500mm 4 = Straight, 2000mm	A = Customized