

TL2

series



Product Segments

- **Care Motion**

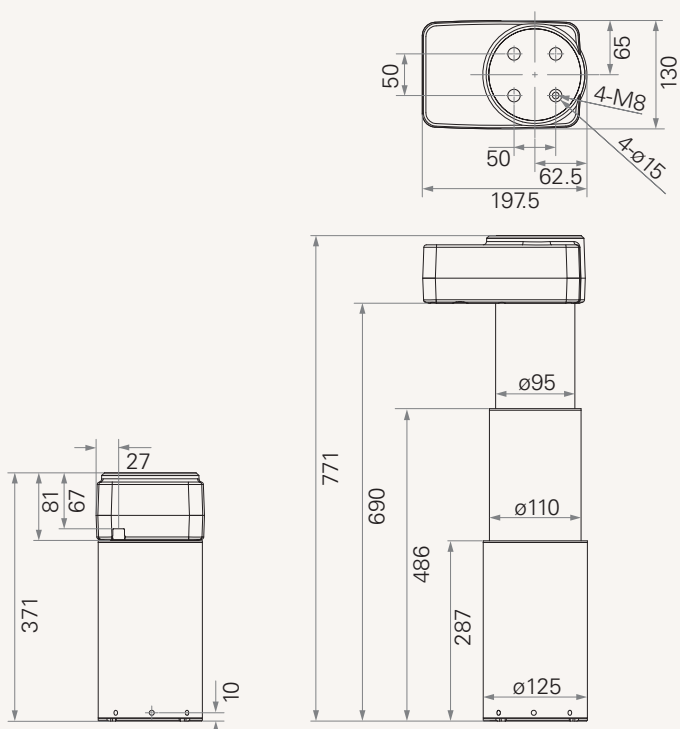
Among our medical solutions, TL2 is designed with the cylinder appearance. Our TL2 provide stable vertical lifting. Its 3-part guidance enables an overlap between the individual profiles, which ensures a high degree of stability. It's suitable for the operating table application.

General Features

| | |
|--------------------------------|------------------------------------|
| Maximum load & self-locking | 2,000N |
| Maximum speed | 19.0mm/s |
| Minimum installation dimension | 371mm |
| Dimension of outer tube | Ø125mm |
| Stroke | 400mm |
| Option | safety nut and Hall/Reed sensor(s) |

Drawing

Dimension Standard



Load and Speed

| CODE | Rated Load | | Self Locking N (PUSH) | Typical Current at Rated Load (A) | Typical Speed | |
|------------------------------|------------|--------|-----------------------|-----------------------------------|-----------------------|--------------------------|
| | PUSH N | PULL N | | | No Load (24V DC) mm/s | Rated Load (24V DC) mm/s |
| Motor Speed (2600RPM) | | | | | | |
| D | 2000 | 500 | 2000 | 3.3 | 14.8 | 8.0 |
| Motor Speed (3400RPM) | | | | | | |
| M | 2000 | 500 | 2000 | 4.0 | 19.0 | 10.0 |

Note

- The figures are the speed and current information under pushing condition.

Terms of Use

The user is responsible for determining the suitability of TiMOTION products for a specific application.

Due to continuous development in order to improve our products, TiMOTION products are subject to frequent modifications and changes without prior notice.

TiMOTION reserves the right to discontinue the sale of any products displayed on its website or listed in its catalogue or other written materials drawn up by TiMOTION.

TL2 Ordering Key

TL2

Version: 20130411-E

| | | | | |
|--------------------------|---|--|-------------------------|---|
| <input type="checkbox"/> | Voltage | 1 = 12V | 2 = 24V | 3 = 36V |
| <input type="checkbox"/> | Load and Speed | See appendix | | |
| <input type="checkbox"/> | Stroke | 400mm (standard is 400mm, but options < 400mm are still available) | | |
| <input type="checkbox"/> | | | | |
| <input type="checkbox"/> | | | | |
| <input type="checkbox"/> | Retracted Length | 371mm (fixed dimension) | | |
| <input type="checkbox"/> | | | | |
| <input type="checkbox"/> | | | | |
| <input type="checkbox"/> | Color | 1 = Black | 2 = Grey (Pantone 428C) | |
| <input type="checkbox"/> | Special Functions for Spindle Sub-Assembly | 0 = Without (standard) | | |
| <input type="checkbox"/> | Functions for Limit Switches | 1 = Two switches at the retracted/extended positions to cut current 3 = Two switches at the retracted/extended positions to send signal A = Customized | | |
| <input type="checkbox"/> | Output Signals | 0 = Without | 1 = One Hall sensor | 2 = Two Hall sensors 3 = Reed sensor |