

# TMM

## series



### Terms of Use

The user is responsible for determining the suitability of TiMOTION products for a specific application.

Due to continuous development in order to improve our products, TiMOTION products are subject to frequent modifications and changes without prior notice.

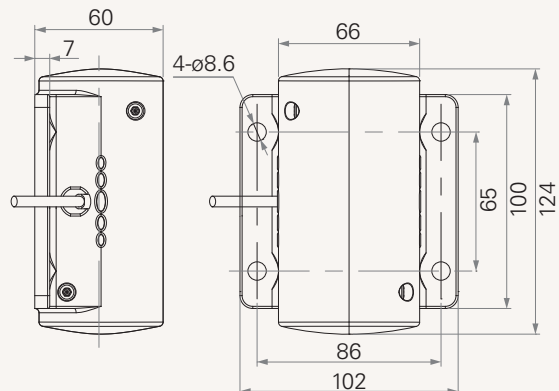
TiMOTION reserves the right to discontinue the sale of any products displayed on its website or listed in its catalogue or other written materials drawn up by TiMOTION.

### General Features

Massage motor  
24V DC

### Drawing





Standard Dimension



# TMM Ordering Key

## TMM

Version: 20130705-A

	<b>Voltage</b>	1 = 12V	2 = 24V
	<b>Color</b>	1 = Black	A = Customized
	<b>Cable Length</b>	1 = Straight, 1000mm	2 = Straight, 2000mm A = Customized
	<b>Plug</b>	1 = TiMOTION's standard DIN 6pin plug 2 = Tinned leads	F = Molex 2pin A = Customized