

TNP3

series



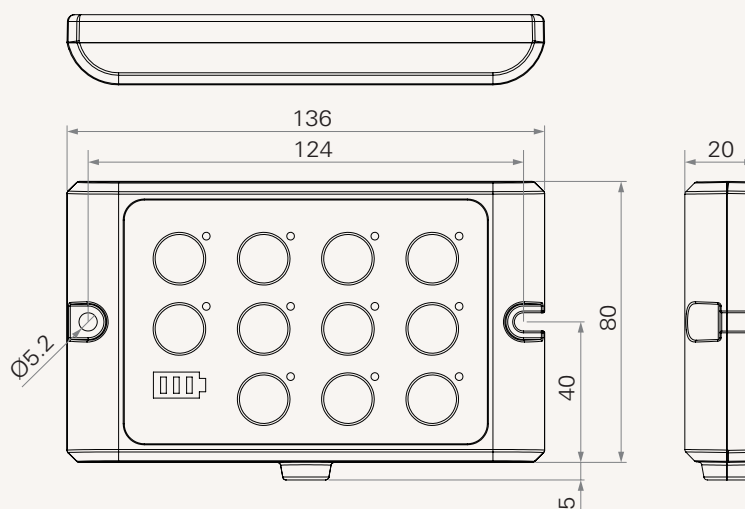
Product Segments

• Care Motion

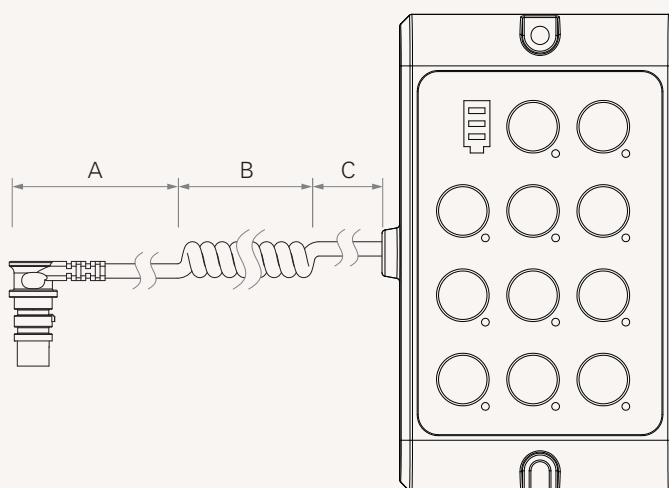
Maximum available buttons	11
Color	black or grey
Protection class	IP54 or IP66
Control up to 7 channels in connection with TC8	
Can be used as lock-out box	

Drawing

Standard Dimension



Dimension with Cable Length



Cable Length (mm)

CODE	A	B	C
1	1000	300	200
2	1200	300	300
3	1400	300	400
4	2400	0	0
5	0	600	0
6	1000	200	200
A	Customized length		

Terms of Use






The user is responsible for determining the suitability of TiMOTION products for a specific application.

Due to continuous development in order to improve our products, TiMOTION products are subject to frequent modifications and changes without prior notice.

TiMOTION reserves the right to discontinue the sale of any products displayed on its website or listed in its catalogue or other written materials drawn up by TiMOTION.

TNP3

Version: 20130510-D

	Plug	1 = DIN 8pin, 90°, for TC2/TC3 2 = RJ 10pin, 90°, for TC1 4 = DIN 8pin, 180°, for extension cable	5 = RJ 10pin, 180°, for TC6/TC9/extension cable A = Customized	
	Color	1 = Black	2 = Grey (Pantone 428C)	
	IP Protection	1 = Without	2 = IP54	3 = IP66
	Key Definition	A = Customized		
	Cable Length	1~6 = See appendix		A = Customized