

TP9

series



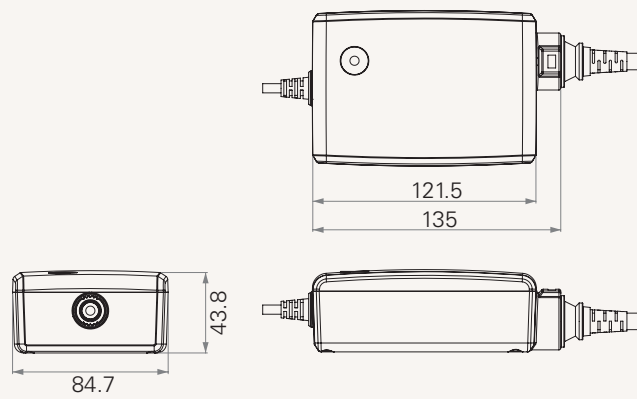
Product Segments

- **Care Motion**

Transformer type	SMPS
Input voltage	100~240V AC
Maximum output	29V DC, 2.5A
Plug support	EU, USA, AUS, UK, JPN, or customized
Color	black or grey
Protection class	IP54 or IP66
Certificate	CB, ES/EN60601-1, and IEC60601-1

Drawing

Standard Dimension



Terms of Use

The user is responsible for determining the suitability of TiMOTION products for a specific application.





Due to continuous development in order to improve our products, TiMOTION products are subject to frequent modifications and changes without prior notice.

TiMOTION reserves the right to discontinue the sale of any products displayed on its website or listed in its catalogue or other written materials drawn up by TiMOTION.

TP9 Ordering Key

TP9

Version: 20130510-D

	Plug	1 = EU 2 = USA	3 = AUS 4 = UK	5 = JPN A = Other
		Note : Using 2.5A, 29V transformer		
	Color	1 = Black	2 = Grey (Pantone 428C)	
	Cable Length	1 = AC cable: straight, 2000mm; DC cable: straight, 1000mm; DIN 5pin, female plug 2 = AC cable: straight, 2000mm; DC cable: straight, 1000mm; 01 female plug 3 = AC cable: straight, 500mm; DC cable: straight, 3500mm; DIN 5pin, female plug 4 = AC cable: straight, 500mm; DC cable: straight, 3500mm; 01 female plug A = Customized		
	IP Protection	1 = Without	2 = IP54	3 = IP66