

Oil-Free Rocking Piston Pump

RP40V



Max Flow	50.0 l/min
Max Vacuum	93 mbar
Max Pressure	n/a

Motor Type

110/115V or 230V Permanent Capacitor

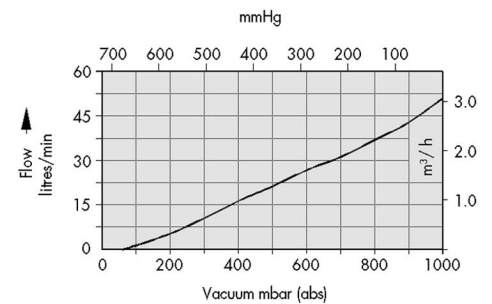
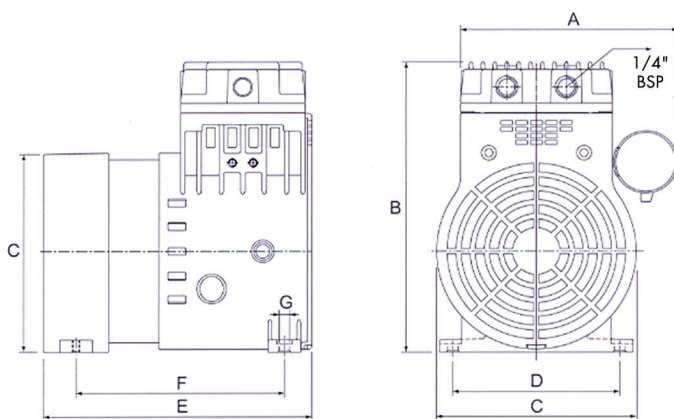
Performance

Model no.	Max free flow l/min	Max vacuum mbar	Max pressure bar
RP40V	50.0	93	7.0

Technical Drawing

RP40V 6.9 Kg

dimensions: mm



Application ideas

Application ideas include food storage, door seals, paper counting machines, dental vacuum oven, vacuum welding, gas analysis and pick and place.

Model	A	B	C	D	E	F	G
RP40V	146	198	ø134	112	240	203.5	ø7

Please note - it is important that you ensure the motor specification stated and the range of materials offered in the pump are compatible with the performance, environmental limitations and chemical resistance requirements of the application.

For further information or details of our extensive range of pumps, contact our technical sales office who will be please to help you select the most suitable pump for your application.

S30-242/1