

400i Peristaltic Pump.



- Easy tube change.
- Can be run continuously
- Robust design.
- Quiet running.
- Self Priming to 5 metres.
- Rollers fitted with ball bearings for long life.
- Smooth bore fittings available to minimize clogging.
- Economically priced.

The 400i series peristaltic pumps has been designed to offer the user a quiet, rugged and reliable means of dosing a wide range of liquids at up to 10 Litres per minute. The 400i series peristaltic pumps offer have excellent suction performance, even priming from dry. Peristaltic pumps offer a good level of accuracy and repeatability and as only the tube contacts the pump media, they are corrosion resistant, easy to clean and inexpensive to maintain. The 400i has a simple lift off cover to facilitate easy tube change. The 400i is available with a choice of tube size & material (see below).

400i pump fitted with 10mm I.D tube is 20ml per revolution
400i pump fitted with 13mm I.D tube is 37ml per revolution.

Materials of Construction:-

Pump body – Aluminium (anodised)
Pump backplate – Stainless Steel
Roller assembly bracket – Aluminium (anodised)
Rollers – Acetal – with sealed ball bearings fitted
Roller Spindles – Stainless Steel
Inlet/Outlet barbed connectors – Polypropylene – to suit 12.5" flexible tube – Smooth bore fitting available on request.
Pump mounting bracket (L shaped) – Stainless Steel
Tube – Choice of Silicone (peroxide cured) or Santoprene (Norprene A60F) – other options available on request.

Order information:

For example: **401i-PH-130**. Is a 400i pump head only fitted with 13mm Santoprene tubing.

1st part refer to pump/tubing

400i: Silicone tubing.

401i: Santoprene tubing.

2nd part refers to pump head only

3rd part relates to tube I.D:

100: 10mm ID x 3.2 wall

130: 13mm ID x 3.2 wall.

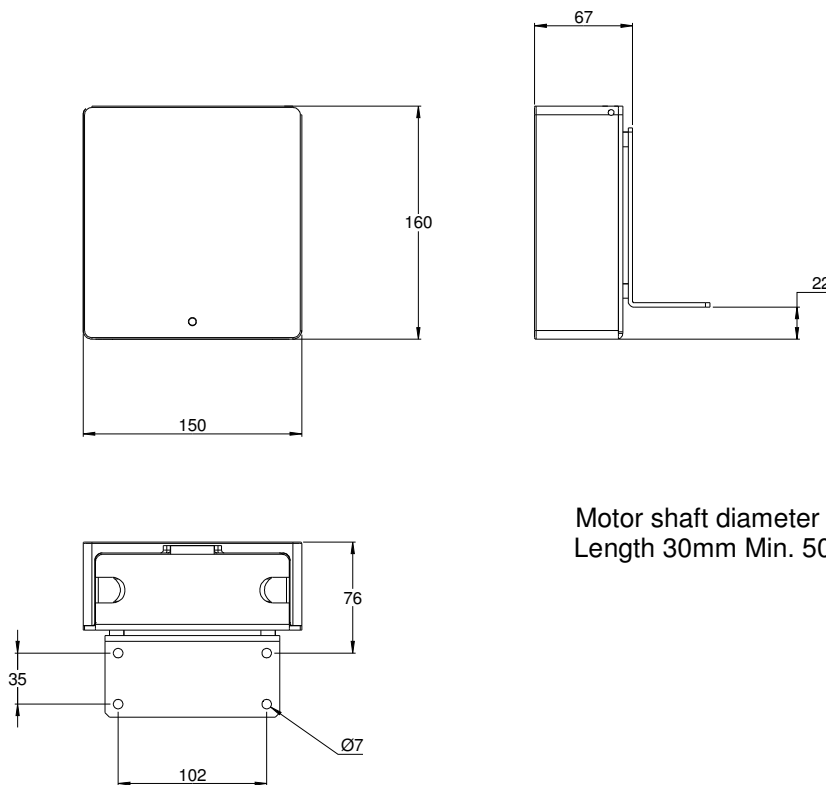
The Williamson Manufacturing Company Ltd provides no warranty on usage of pumps. We recommend that life tests be carried out prior to use. This information is given in good faith and believed to be correct and current at time of publishing. The Williamson Manufacturing Company Ltd cannot accept responsibility for its inaccuracy or any errors or omissions contained herein. Copyright The Williamson Manufacturing Company Ltd 2008

Further information:

Williamson pumps offers an optional, extra cost, larger internal diameter smooth bore stainless steel spigot available to use for the 400i series pumps to further enhance flow rates and offer an alternative spigot material where the existing material is un-suitable. The O.D of the external spigot suits 19mm ID tube. To order pumps with smooth bore stainless steel spigot simply add "SB" to the end of the pump model number, eg: **401i-PH-130-SB** which denotes a 400i series pump head fitted with 13mm I.D Santoprene tubing fitted with smooth bore spigots.

Smooth bore spigots can give a significant increase in flow in comparison to flow rates for the standard spigots.

Dimensions



Motor shaft diameter 10mm.
Length 30mm Min. 50mm Max.

