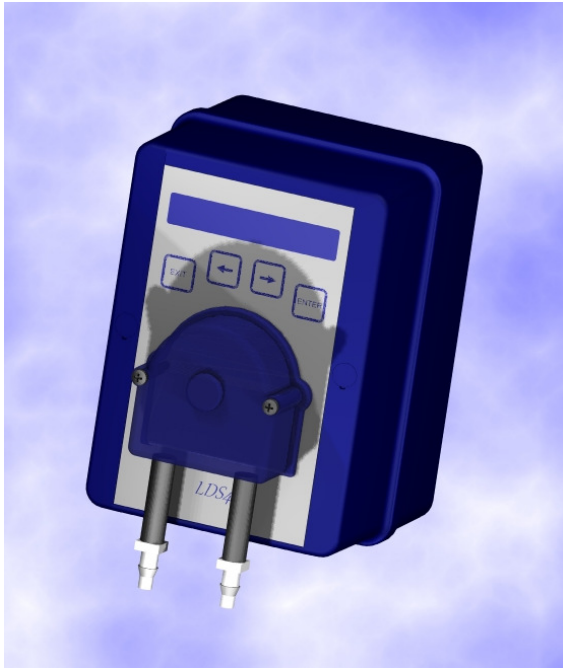
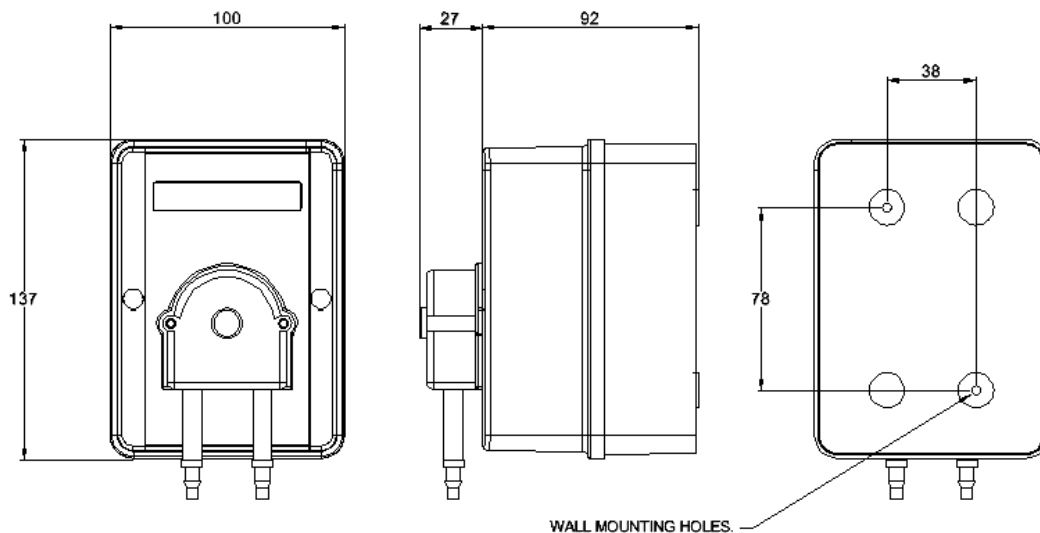


LDS4 Programmable dosing pump.

Provisional Specification Sheet 1 (last updated June 2012.)



- Mains (110 or 230v) or battery operation.
- 24 hr or 7 day timing functions.
- 32 programmable dose times.
- Standard 200 series mini peristaltic pump head.
- Dose set in ml.
- Individual doses up to 999ml
- Calibrate function.
- Battery back up.
- Battery voltage drop compensation for stable pump output.
- Low battery indication.
- 16 Character blue back lit lcd display.
- Settings pass code protected.
- Wall mounting.
- IP 55.
- Small footprint.
- Optional external input & output.
- Optional slave unit for dual dosing.
- Optional customer branding.



The Williamson Manufacturing Company Ltd provides no warranty on usage of pumps. We recommend that life tests be carried out prior to use. This information is given in good faith and believed to be correct and current at time of publishing. The Williamson Manufacturing Company Ltd cannot accept responsibility for its inaccuracy or any errors or omissions contained herein. Copyright The Williamson Manufacturing Company Ltd 2008